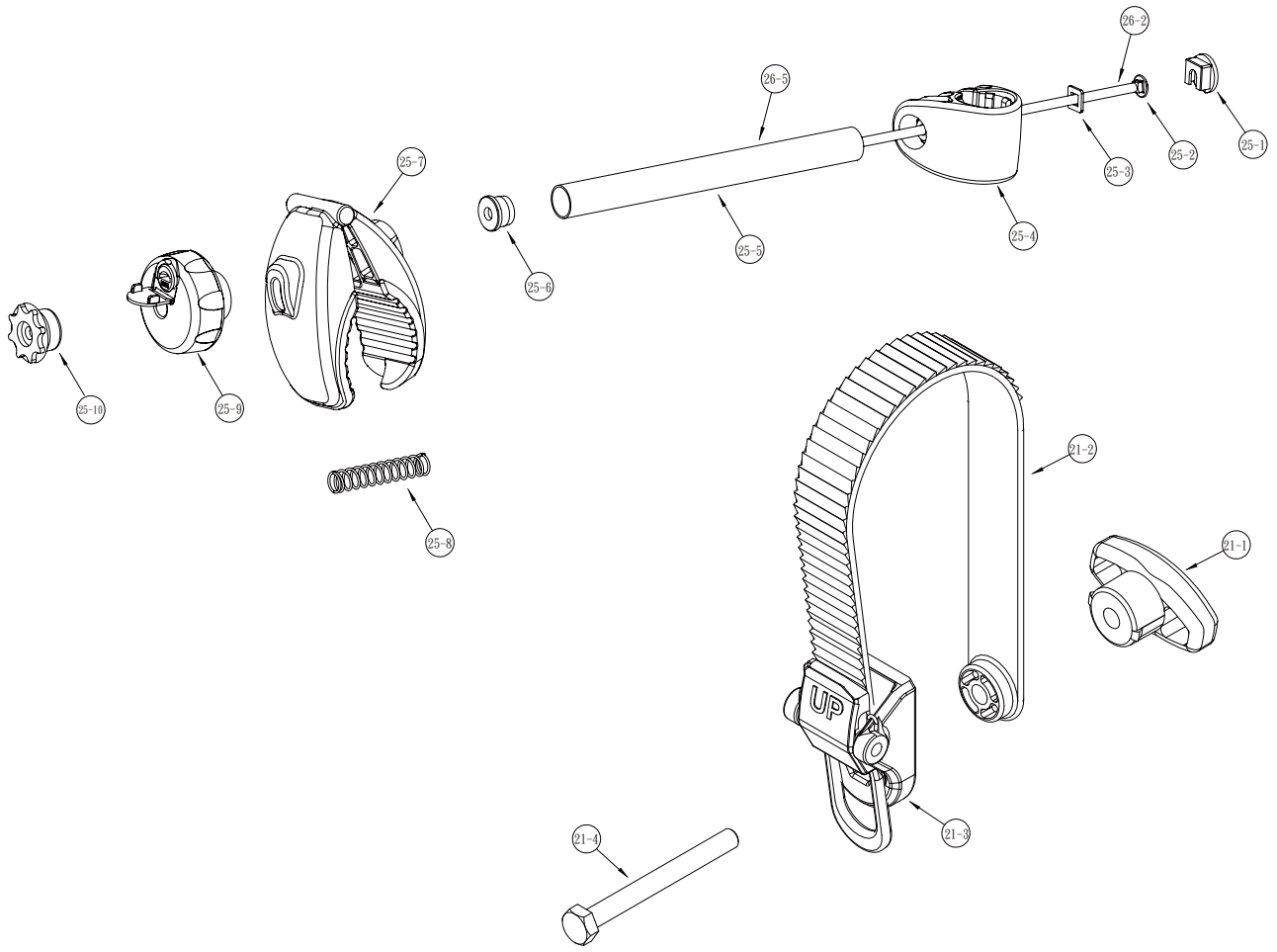


PART	DESCRIPTION	PART NUMBER	QTY.	PACK SIZE	PART	DESCRIPTION	PART NUMBER	QTY.	PACK SIZE
1	Hub	130-00138-01			21	Assembled wheel strap			
2	Upper Strap Assembly x 2	47-0113-013-01			22	Pin	143-00021-51		
3	Lateral Strap Assembly x 2	47-0113-014-01			23	Tool	144-00012-56		
4	Bottom strap Assembly x 2	47-0113-015-01			24	Key K001~K010	147-00009-50		
5	Carriage bolt M6x55mm	140-0106-023-58			25	Longer clamp-silver			
6	Washer Ø9.0xØ17.5x1.5t	142-1090-001-58			26	Shorter clamp-silver			
7	Carriage bolt M6x40mm	140-0106-015-58							
8	Washer Ø6.5xØ13	142-1065-003-58							
9	Nylock nut M6	141-0106-001-58							
10	Carriage bolt M6x1.0x95x35mm	140-0106-037-58							
11	Washer Ø6.5xØ19	142-1065-005-58							
12	Knob	47-0113-009-01							
13	Hex bolt M6x45mm	140-0306-039-58							
14	Bracket shim	130-00471-01							
15	M4 Screw 16mm	140-3104-001-58							
16	Platform bracket	118-00077-66							
17	End cap	130-00440-01							
18	Wheel holder	130-00441-01							
19	End cap	130-00340-01							
20	Foam pad	130-00067-01							

# PILOT SPARE PARTS



PART	DESCRIPTION	PART NUMBER	QTY.	PACK SIZE	PART	DESCRIPTION	PART NUMBER	QTY.	PACK SIZE
21-1	T-Knob	47-0113-042-02							
21-2	Wheel strap	130-00523-01							
21-3	Ratchet for wheel strap	47-0113-042-01							
21-4	Hex bolt M6x75mm	140-0306-023-58							
25-1	Clip cover	130-00368-01							
25-2	Carriage bolt M6 x 360mm	140-0106-041-58							
25-3	Square washer	118-00065-58							
25-4	Clamp tube clip	130-00367-01							
25-5	Clamp Tube 210mm	3201-00108-66							
25-6	End cap	130-00155-01							
25-7	Clamp sub-assembly	47-0106-000-01							
25-8	Clamp Spring	145-00016-50							
25-9	Locking knob	47-0113-017-01							
25-10	Insert threaded knob	47-0113-018-01							
26-2	Carriage bolt M6 x 180mm	140-0106-042-58							
26-5	Clamp Tube 40mm	3201-00109-66							